

Product Specifications

ADHESION TYPE TWEEZERS "Sivatouch"

NEW!

Mechanical pencil style tweezers to catch tiny objects by adhesive material located on the tip of the tweezers!

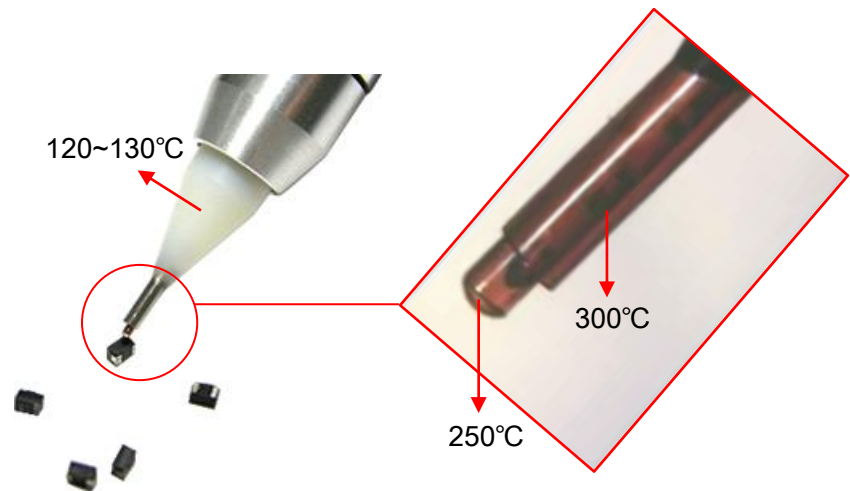
Product MT-4200

超微小物も

つかえます

Feature

- Very safe and reliable design to prevent residue of adhesive from remaining.
- Heat resistant adhesive enables the tweezers to be utilized for soldering purpose.
- One touch adjustable design: Obnoxious process to adjust the amount of adhesive is not necessary.



Sivatouch Main Unit

| Model | Standard TIP | Tip Material | Stripper Material | Approx. usage |
|--------------------------|--------------------------|----------------------|---------------------------------|--------------------------------|
| MT-4200 | BC-4200 | Heat resistant resin | Heat resistant resin | ※1 20,000 ~ 30,000 times |
| MT-4400 | BC-4400 | | Heat resistant resin | |
| ※3 MT-4500 (Anti ESD) | ※3 BC-4500 (Anti ESD) | | Heat resistant resin and SUS304 | |

Tip types

| Model | Compatible with | Applicable Size for capture | Maximum Weight for capture | Diagram |
|-----------------------|-----------------|-----------------------------|----------------------------|----------|
| BC-4200 | MT-4200 | φ1.0mm-φ4.0mm | 100mg | figure-1 |
| ※2 BC-4201 | MT-4400 | φ3.0mm-φ10mm | 500mg | figure-2 |
| ※2 BC-4202 | MT-4500 | φ3.0mm-φ30mm | 1000mg | figure-3 |
| BC-4400 | MT-4400 | ※4 φ0.25mm-φ1.0mm | 3mg | figure-4 |
| ※3 BC-4500 (Anti ESD) | MT-4500 | ※4 φ0.25mm-φ1.0mm | 3mg | figure-4 |

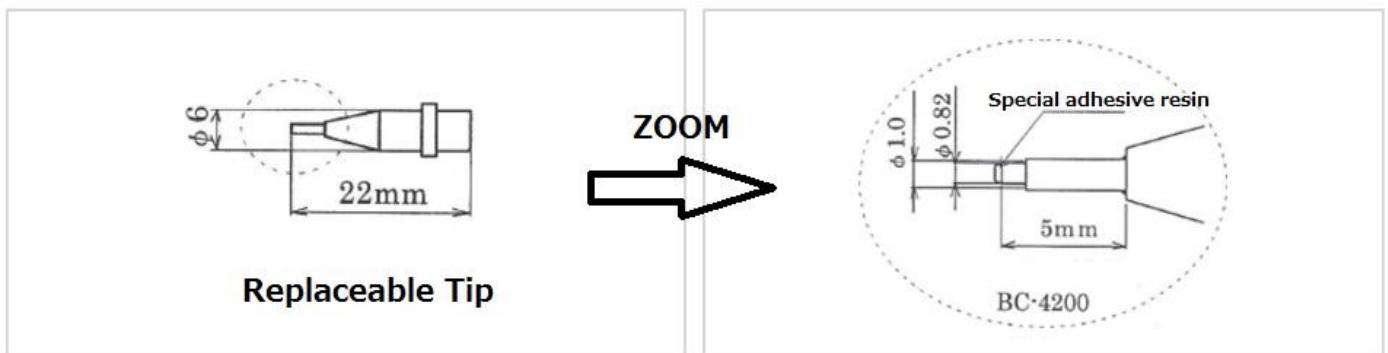
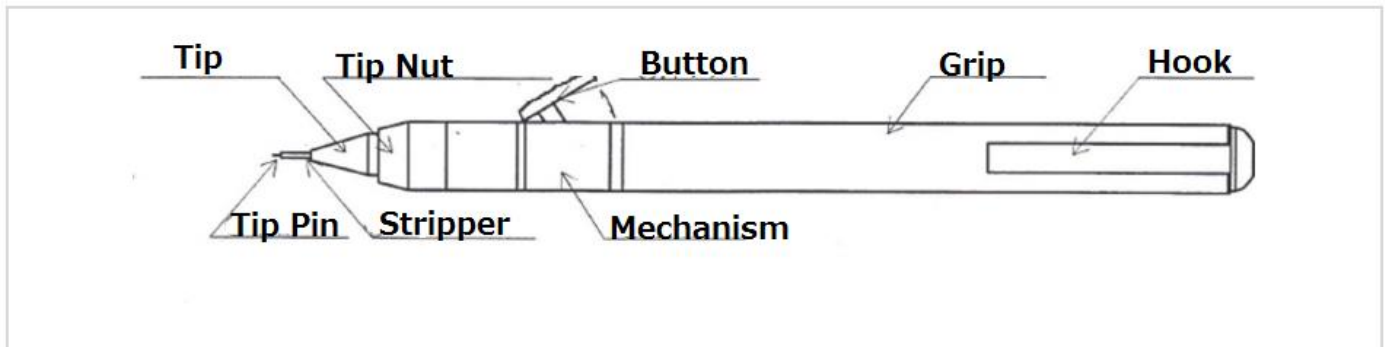
※1) Approximated in good usage conditions and maintenance with the TC-200 Tip Cleaner.

※2) Optional TIP. Not included in the standard package.

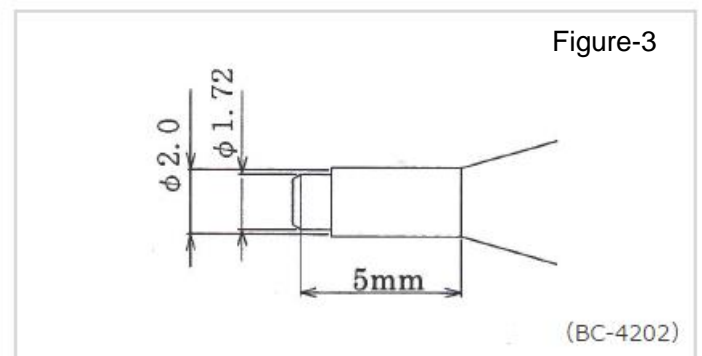
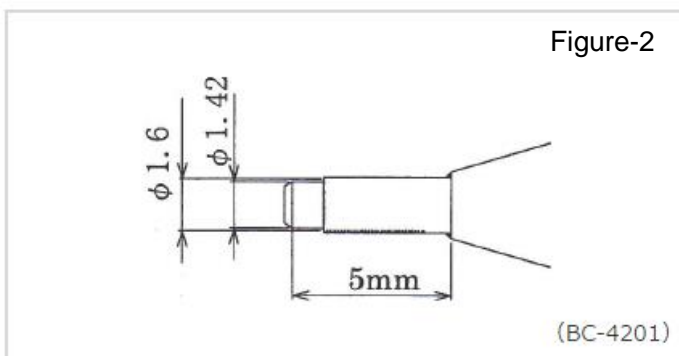
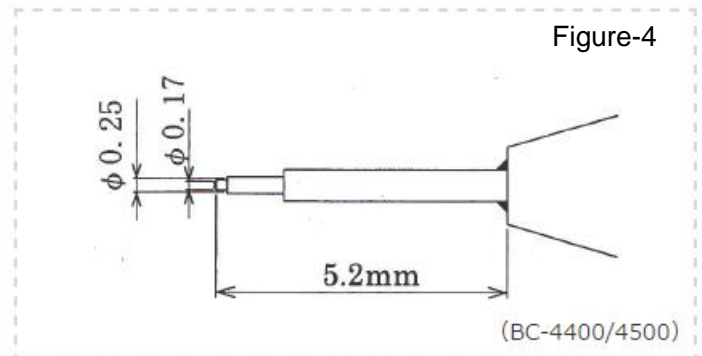
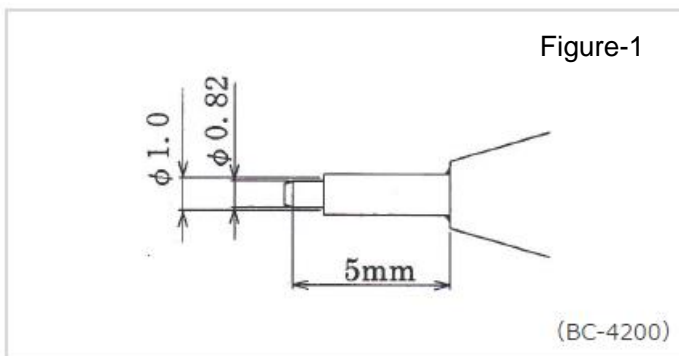
※3) Anti ESD properties is possible only with the combination of MT-4500 + BC-4500

※4) The stripper is thicker

Main Unit Details



Tip Sizes



DAI-ICHI SHOJI CO., LTD.

2-2-1 Minatomirai, Nishi District, Yokohama City, Kanagawa Prefecture Yokohama Landmark Tower 20th floor

<http://www.daiichishoji.co.jp/>

Tel: +81 45 228 3251 / Email: info@daiichishoji.co.jp