

HIOS®

NEW

熟練工® JYUKUREN



BLG - BC2 Series

JYUKUREN=Proficient

Detect errors in screw fastening in real time with high accuracy by counting the pulse of the motor.

No need to rely on the experience or logic of operators any longer.

The screwdriver itself will enhance the quality of screw fastening.



「熟練工」なら、こんなエラーの検出が可能です！

『JYUKUREN』 detects screw fastening errors such as

- Different Pitch (7 pitch, 9 pitch)
- Different Length
- Seized Parts (Cables, etc.)
- Missing Parts (Washer, etc.)
- Recessed Screw
- Unseated Screw
- Jammed Screw
- Cam out
- Stripped Screw
- Missing Screw

「熟練工/JYUKUREN」=Proficient

The BLG-BC2 "JYUKUREN" won 2014 The Ten Great New Products Prize In Mid-sized Company sponsored by Nikkan Kogyo Shimbun Ltd. This Prize is a time-honored prize established back in 1958.

■ Direct teaching allows a simple setting

Reduces the time and work needed for settings of the driver by fastening several screws directly on a work piece. This allows the screwdriver to automatically recognize the pulse numbers of a motor from the beginning of tightening the screws, until they are seated (Max./Min. values). The reference values of Pass/Fail can be set with the permissible range of ±0 to 20% starting at the Max/Min values.

■ Drastically increases the error detection rate

Screws that were once difficult to judge visually, (misplaced screws of different type or length, recessed screws or floating screws due to seized cables) are now detected.

■ Display panel indicates the measured values

The user can check the measured values on their display panel, enhancing the user's sense of security at work.

■ Installed serial port (RS-232C) makes it possible to set the driver by remote control and record pulse values of each screw tightening for traceability.* Note 1

Data transmission and reception are enabled by connecting with external devices, including PC and PLC.


"Evolving BLG Series" Part 2

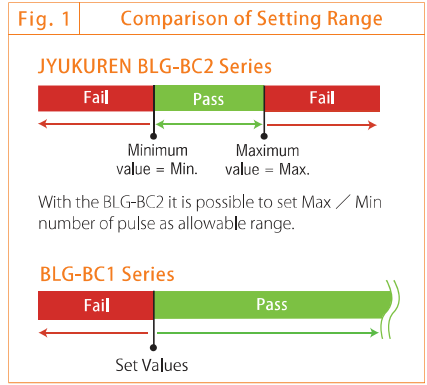
Brushless® Screwdriver

Built-in Screw Counter/ Pulse Counter

BLG-4000BC2 BLG-5000BC2

Comparison Table of the BLG Series with a Built-In Screw Counter

		BLG-BC2 Series Pulse Counter	BLG-BC1 Series
Screwdrivers		 Model : BLG-4000BC2 / BLG-5000BC2	 Model : BLG-4000BC1 / BLG-5000BC1
Direct teaching (Set the pulse values only)		●	—
Settings	Count settings (1 to 99)	●	●
	Work/Reset Timer	●	●
	Reverse Count Timer	●	●
	On/Off Setting of Buzzer and Reverse Count	●	●
	Overtime / Short time	●	●
	Count Timer (time)	—	●
	Pulse Number Counter	● (Refer to Fig. 1)	—
Screen Display	Detect Results (Pass / Fail)	● (Refer to Fig. 1)	●
	Total Number of "Torque-Up" (Shutting off the driver automatically when the preset torque has been reached.)	●	●
	Number of Counts	●	●
	Number of Pulse	●	—
* Note 1	Multiple settings can be changed at once from external PC		
External I/O Serial Port RS-232C	Output the data of screw tightening	●	—
	Interlock with external devices (rotating warning light, workstation address switch, etc.)	Available with RS-232C PLC, I/O board, etc.	—



NEW Required power supply for the BLG

Types: T-45BL (Multi-input type AC100-240V)
Compact and reasonable power supply corresponding to all types of the BLG Series



【Physical Dimensions】
72(W) × 145(D) × 43(H)
【Weight】 315g (0.70 Lbs.)

Screwdriver specifications

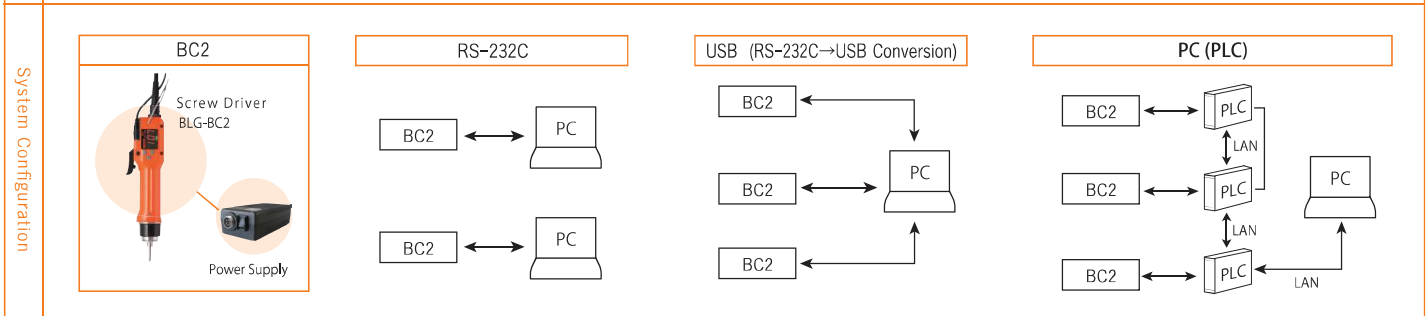
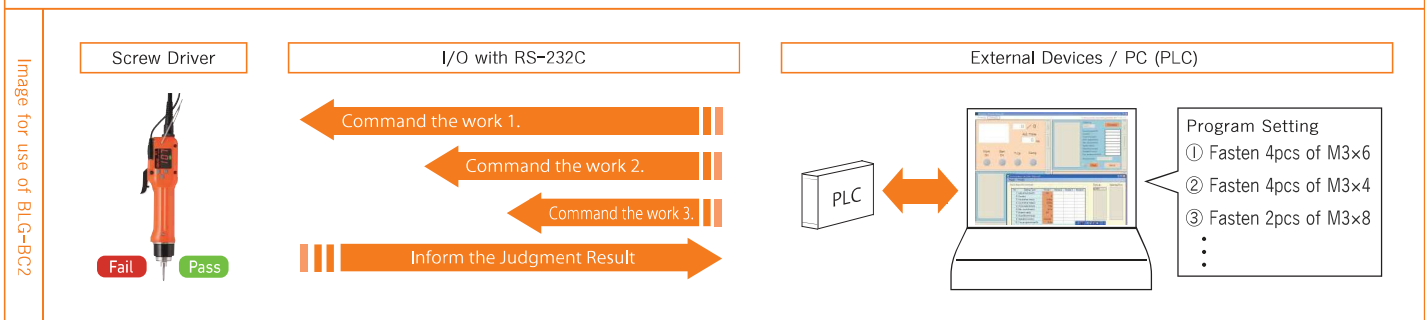
Model	Starting method	Output Torque Range			Unloaded Rotation Speed (r.p.m.)±10%		Screw Size (mm)		Dimensions (mm)		Weight (g)	Power Supply		
		N · m	lbf · in	(Kgf · cm)	HI	LOW	Machine screw	Tapping screw	Grip Diameter	Total Length		T-30BL	T-45BL	T-70BL
BLG-4000BC2	Lever Start	0.1-0.55	0.9-4.8	(1-5.5)	1,000	690	1.4-2.6	1.4-2.3	Φ32.7	206	370	●	●	●
BLG-5000BC2	Two-way Start System (Interchangeable)	0.2-1.2	1.7-10	(2-12)	1,000	690	2.0-3.0	2.0-3.0	Φ38	235	425	—	●	●
BLG-5000BC2-15		0.3-1.0	2.6-10	(3-10)	1,500	940	2.3-3.0	2.0-2.6	Φ38	235	425	—	●	●
BLG-5000BC2-20		0.3-0.8	2.6-7	(3-8)	2,000	1,400	2.3-3.0	2.0-2.6	Φ38	235	425	—	●	●
BLG-5000BC2-HT*		0.5-2.0	4.3-17	(5-20)	730	—	2.0-4.0	2.0-3.0	Φ38	235	425	—	●	●

* Use only "HI" power outlet with the BLG-5000BC2-HT

Options For External I/O

* Note 1) To use external I/O, the special cable with the sample application software is available as an option.

The Special Cable for BLG-BC2 P/No: BLG-BC2-0010



HIOS Inc.

Head Office: 111-6 Akiyama, Matsudo City, Chiba Pref., Japan 270-2223 Phone: +81 (Japan) 47-392-2001

Osaka Office: 18F Naniwasuji SIA Bldg., 2-4-2 Shinmachi, Nishi-ku, Osaka City, Japan 550-0013 Phone: +81 (Japan) 6-6533-0903

Nagoya Office: 9F Kirix Marunouchi Bldg., 1-17-19 Marunouchi, Naka-ku, Nagoya, Aichi Pref., Japan 460-0002 Phone: +81 (Japan) 52-219-5566

Yamagata Factory: 5 Takagi, Yamagata City, Yamagata Pref., Japan 990-2346 Phone: +81 (Japan) 23-645-8100

HIOS (Shenzhen) Co., Ltd. 11CD Room New Times Plaza, 1 Taizi Road, Shekou Nanshan District, Shenzhen, Guangdong Province, China 518067 Phone: +86 (China) 755-26674278

* Specifications and appearances may change without notice. * Information in this catalog: as of February 2015 * Catalog number: EK-A034

